

ROČAJI • RUČKE • HANDLES



CR1 CR2 CR3

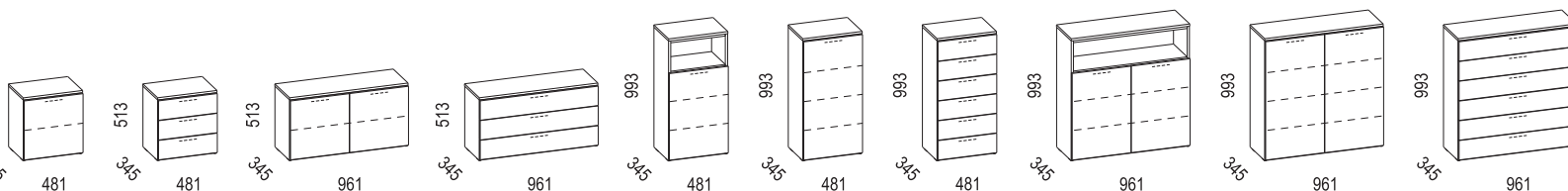
BARVE • DEKORI • DECORS



BELJENI BOR • BIJELJEN BOR • WHITEWASHED PINE  
 BELA LAK SIJAJ • BIJELA LAK SJAJ • WHITE GLOSS LAQUER  
 BELA IVERAL • BIJELA MAT • WHITE DECOR

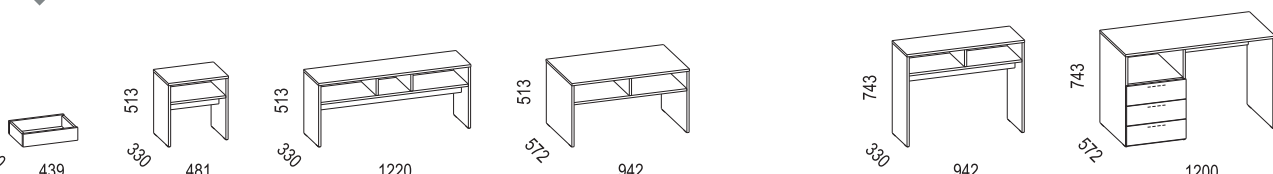
NIZKI ELEMENTI • NISKI ELEMENTI • LOW ELEMENTS

Pri FW in BSC izvedbi so zgornje plošče BSC, pri BC izvedbi pa BC. • Kod FW in BSC su gornje ploče BSC, kod BC su gornje ploče BC. • Colour options FW and BSC include BSC top panels, colour option BC includes BC top panels.



CN1-1 FW CN1-2 FW CN2-1 FW CN2-2 FW CV1-1 FW CV1-2 FW CV1-3 FW CV2-1 FW CV2-2 FW CV2-3 FW  
 CN1-1 BSC CN1-2 BSC CN2-1 BSC CN2-2 BSC CV1-1 BSC CV1-2 BSC CV1-3 BSC CV2-1 BSC CV2-2 BSC CV2-3 BSC  
 CN1-1 BC CN1-2 BC CN2-1 BC CN2-2 BC CV1-1 BC CV1-2 BC CV1-3 BC CV2-1 BC CV2-2 BC CV2-3 BC

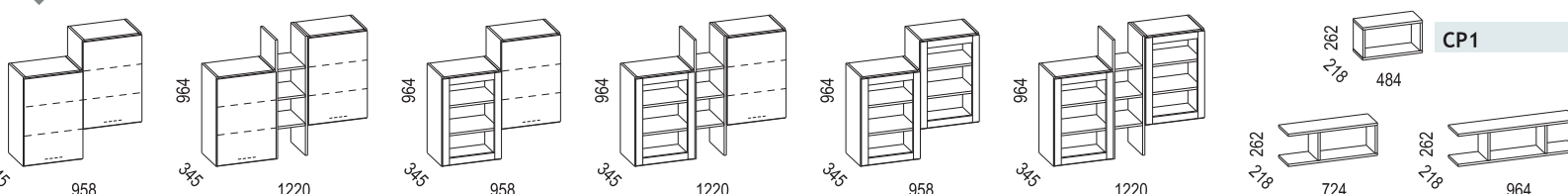
POSEBNI ELEMENTI • POSEBNI ELEMENTI • SPECIAL ELEMENTS



CP BSC CNO BSC CTV BSC CKM BSC CTM FW CPM FW  
 CP BC CNO BC CTV BC CKM BC CTM BC CPM BSC CPM BC

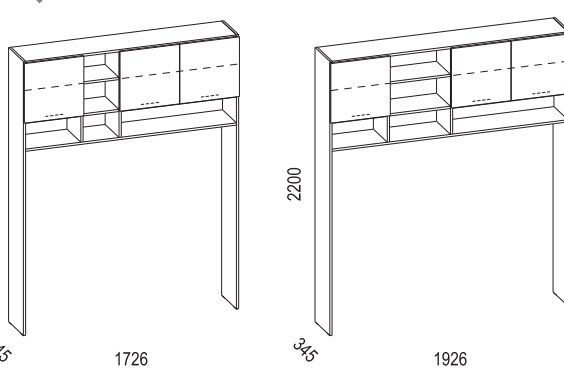
Zgornja plošča je vedno FW. •  
 Gornja ploča je uvijek FW. •  
 Top panel is always in FW decor.

VISEĆI ELEMENTI • VISEĆI ELEMENTI • WALL MOUNTED ELEMENTS



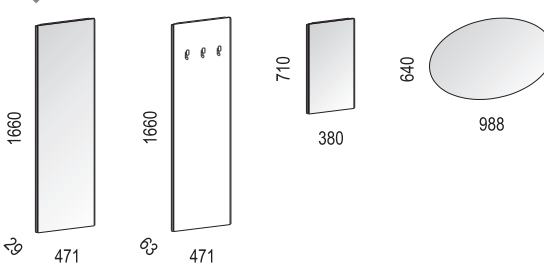
CVV2 FW CVV3 FW CVS2-1 FW CVS3-1 FW CVS2 CVS3 CP2 CP3  
 CVV2 BSC CVV3 BSC CVS2-1 BSC CVS3-1 BSC  
 CVV2 BC CVV3 BC CVS2-1 BC CVS3-1 BC

MOSTOVA • MOSTOVI • BRIDGE UNITS



CM 160 FW CM 180 FW  
 CM 160 BSC CM 180 BSC  
 CM 160 BC CM 180 BC

STENE in OGLEDALA • OBLOGE i OGLEDALA • WALL ELEMENTS and MIRRORS



CPO CPS CTO BNOS

**CENTER**

Prilazujemo si pravico do tehničnih sprememb. / Prilazavamo pravo tehničnih izmjena. / Alples reserves the right to change items. Furniture design: Marjana Rejc, Design: Arhinova d.o.o., Print: Sinet d.o.o.

CE-4

Marec 2016. Oblikovanje: ARHINOVA



**alples**  
 pohištvena znamka

**alples**  
 ... ko stanovanje postane dom.

Alples d.d.  
 4228 Železniki, Slovenija  
 Tel: +386 (0)4 51 18 100  
 Fax: +386 (0)4 51 18 145  
 www.alples.si  
 alples@alples.si

CE-3



**CENTER**

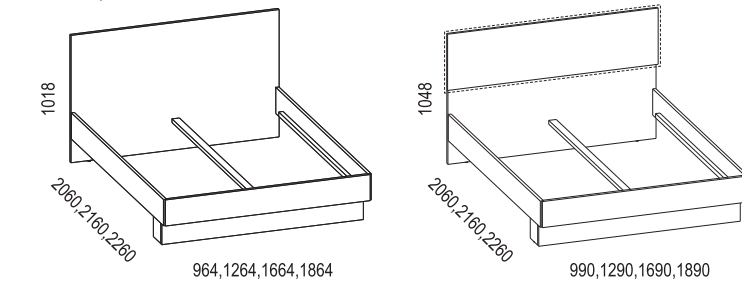
CE-1



CE-2

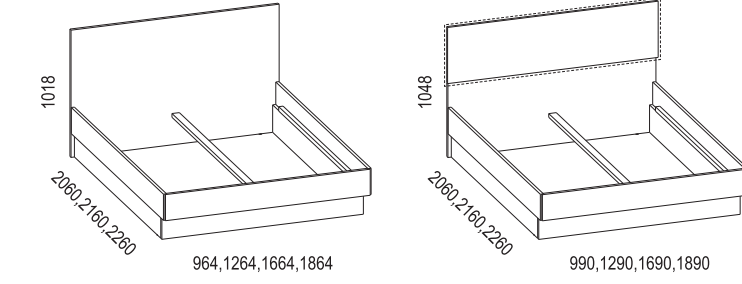


POSTELJE • KREVETI • BEDS



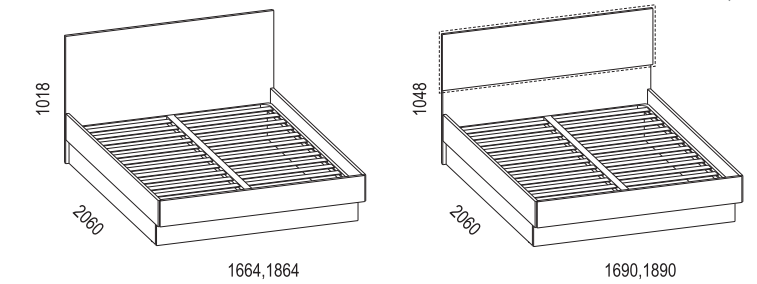
CLEK 90, 120, 160, 180 / 200, 210, 220 FW CLEKB 90, 120, 160, 180 / 200, 210, 220 FW

Možnost spreminjanja višine dna postelje za 7cm. • Mogućnost mijenjanja visine dna kreveta za 7cm. • Possibility of changing the bottom height for 7cm.



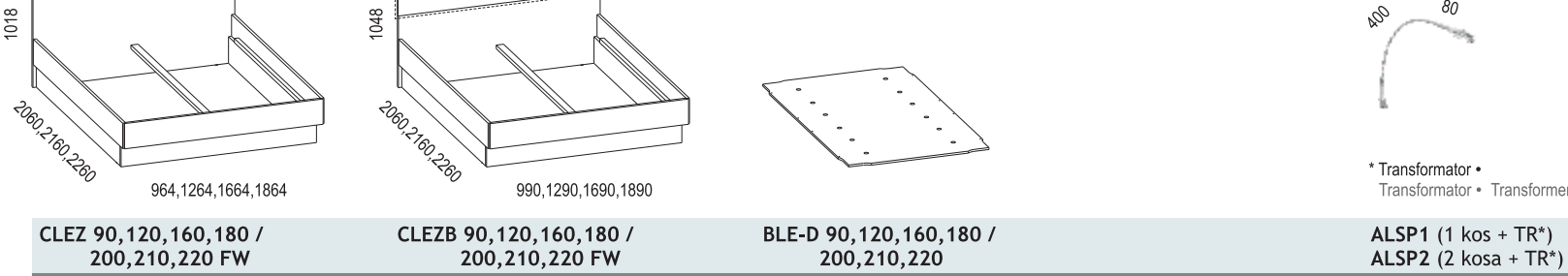
CLEZ 90, 120, 160, 180 / 200, 210, 220 FW CLEZB 90, 120, 160, 180 / 200, 210, 220 FW

POSTELJI Z DVIŽNIM DNOM • KREVETI S PODIZNIM DNOM • BEDS WITH LIFTING BOTTOM

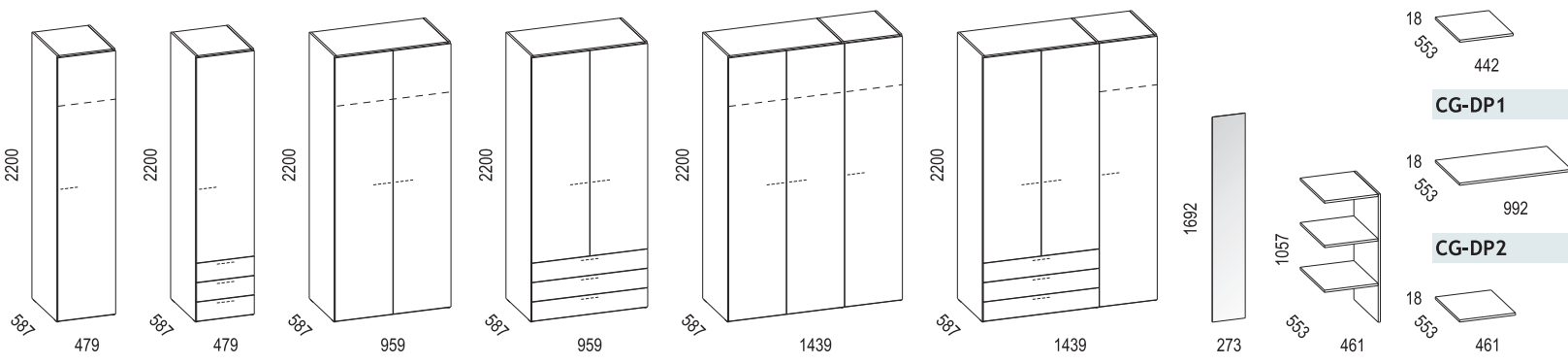


CLED 160, 180 / 200 FW CLEDB 160, 180 / 200 FW

SVETILA POSTELJE • SVJETILJKE KREVETA • BED LIGHTS

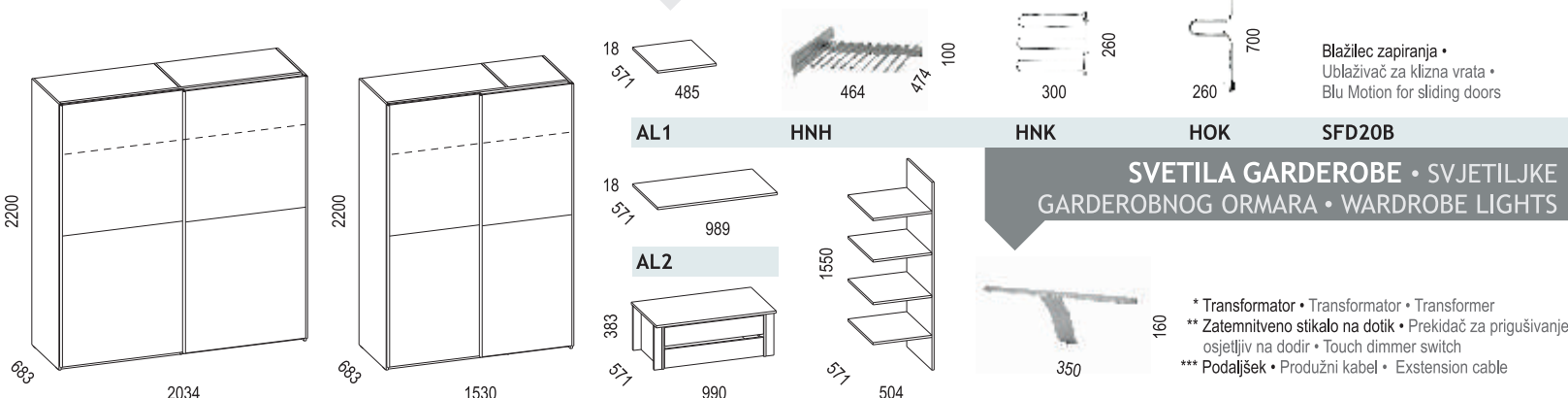


GARDEROBNE OMARE • GARDEROBNI ORMARI • WARDROBES



CG1-1 FW CG1-2 FW CG2-1 FW CG2-2 FW CG4-1 FW CG4-2 FW CGO CGP CG-DPP  
CG1-1 BSC CG1-2 BSC CG2-1 BSC CG2-2 BSC CG4-1 BSC CG4-2 BSC CG4-1 BC CG4-2 BC CG4-1 BC CG4-2 BC

GARDEROBNE OMARE Z DRSNIMI VRATI • KLIZNI GARDEROBNI ORMARI • WARDROBES WITH SLIDING DOORS



CG5-1 FW CG5-1 BSC CG5-1 BC CG6-1 FW CG6-1 BSC CG6-1 BC AL3- Samo za CG5-1 • Samo za CG5-1 • For CG5-1 Only AL4 ALSG1 (1 kos + TR\* + STD\*\* + P\*\*\*) ALSG2 (2 kosa + TR\* + STD\*\* + P\*\*\*) ALSG3 (3 kosi + TR\* + STD\*\* + P\*\*\*)

Blažilec zapiranja • Ublaživač za klizna vrata • Blu Motion for sliding doors

SVETILA GARDEROBE • SVJETILJKE GARDEROBNOG ORMARA • WARDROBE LIGHTS

\* Transformator • Transformator • Transformer  
\*\* Zatemnitveno stikalo na dotik • Prekidač za prigušivanje, osjetljiv na dodir • Touch dimmer switch  
\*\*\* Podajšček • Produžni kabel • Extension cable